

Interesting Items

Volume 14

Dave Jaffe

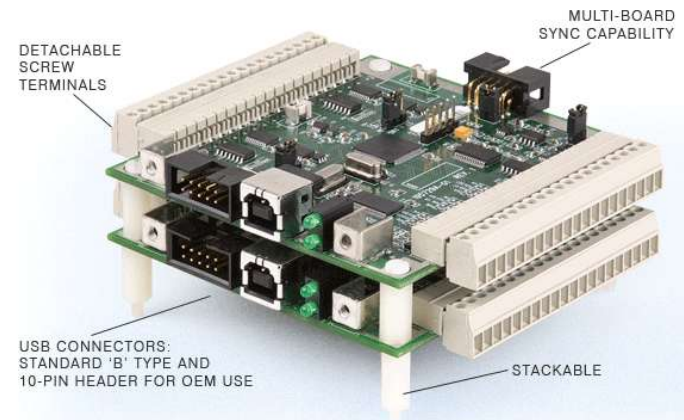
10/24/2009

Caveats

- I came across these products in recent magazines
- I have not bought or used these products
- I do not endorse these products
- I do not know much more about these products

Data Acquisition Boards

- Message-based DAQ protocol – programming using simple test-based messages using firmware interface
- Several models / configurations



System on DIMM Module

- 532 Mhz Freescale i.MX37 processor
- 128 Mb SDRAM / 128 Mb Flash
- Ethernet / USB / UARTs
- Development kit available



Ultrasonic Ranging Module

- USB connection to PC
- Multi-channel oscilloscope function
- Module \$79 – Developer's kit - \$169



USB Serial Converter

- USB to RS232 adapter in DB-9
- Drivers available
- 576 byte buffer
- \$26



PIC Wi-Fi Development Kit

- Software stack runs on PIC 8-32-bit microcontrollers
- Onboard or external antenna options
- \$219



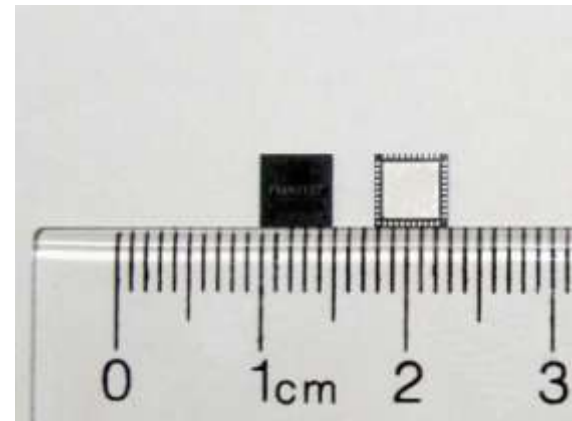
Energy Harvesting

- Energy sources include light, vibration, heat, chemical reaction, air & fluid flow
- 3.3 – 5.2 and 1.8 – 3.6 v modules
- \$120



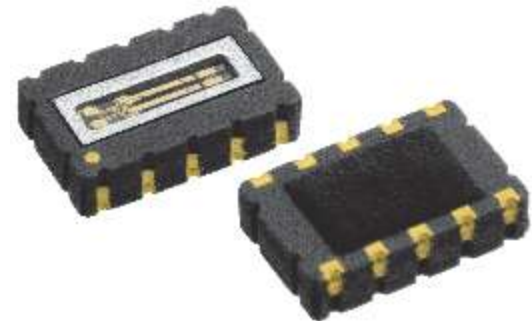
Touch Sensor Controller

- Body capacitance measurement
- I²C interface
- Development board available



Real Time Clock

- Low power consumption
- 1.8 – 5.5 v operating range
- I²C or SPI interface options
- Interrupt output



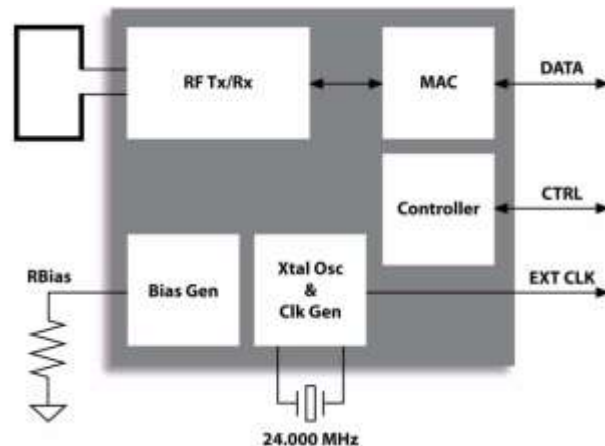
MEMS Accelerometers

- Ultra-thin packaging
- I²C and SPI outputs
- 3-axis – 8 & 10-bit
- 2, 4, 8G
- Kits available, including some with ZigBee



Medical & Sensor Radio Chip

- On-body sensing applications: ECG, glucose, sound & voice
- 2 mw – very efficient design
- SPI interface
- Development kit available



Inertial System

- Application as wearable tracking device
- Accelerometers, gyroscopes, magnetometer, temperature sensor
- Provides dynamic orientation and inertial measurements
- USB and serial interfaces
- Starter kit available



Wireless Sensor Link

- One differential, one single-ended channel
- Works with most sensors
- 2 Khz sweep rate
- 2 Mb flash memory
- Labview compatibility



Inclinometer

- +/- .1 degree accuracy
- .01 degree resolution
- CAN and RS-232 interfaces



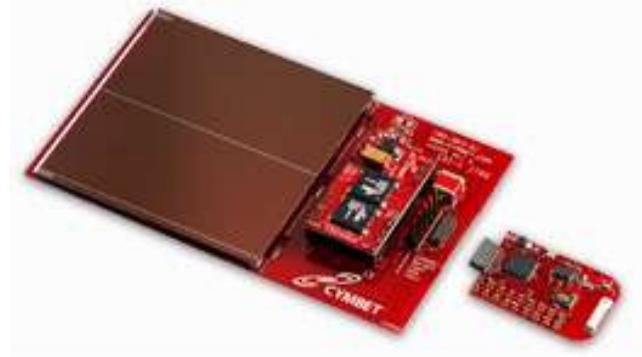
Joystick

- Resistive joystick – 5K
- 2- and 3-axis models
- 2 sizes
- With or without buttons



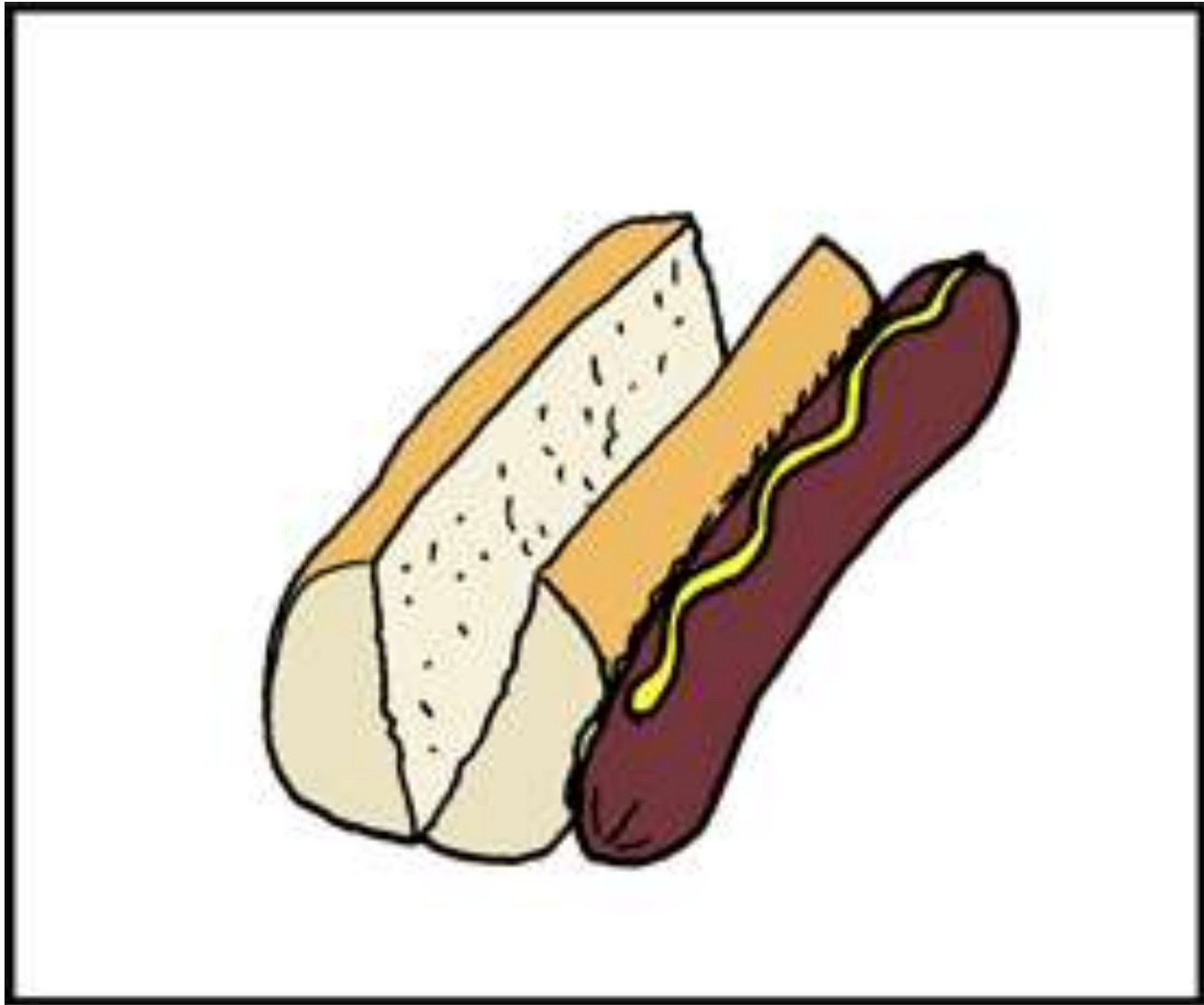
Solar Energy Harvesting

- Development kit for wireless sensor network - \$149
- Uses eZ430-RF2500 module
- USB debugging interface
- 18 available I/O pins









REVERSE POLISH SAUSAGE